



# 2 x Multi-Camera High Definition OB Vehicles

## SONY



### Video Section

Two multi-camera High Definition OB Vehicles designed and integrated for use by Algeria's state broadcaster, EPTV. The vehicles form a fleet capable of delivering High Definition broadcasts of all programming required at national level. The designs are established on the principles of futureproof technology and modularity in use and include fully fitted tender vehicles for every OB unit.

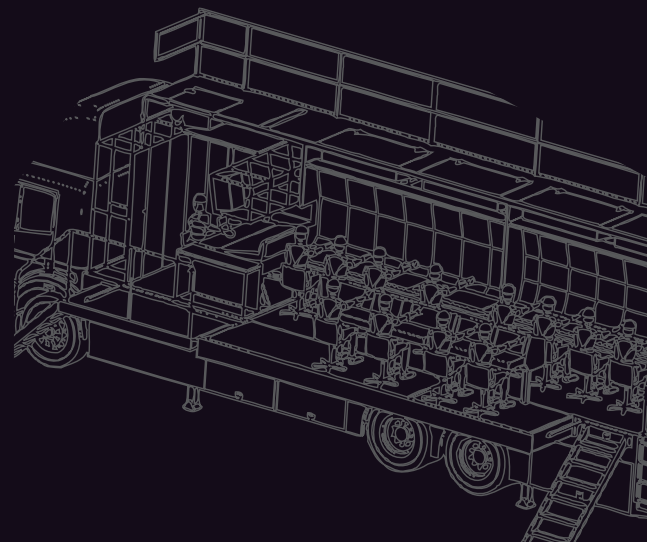
- 6 HD Cameras Sony HDC1550 plus one RF & one Minicam specialist cameras
- Equipped with a variety of Fujinon lenses and appropriate camera supports
- Sony MVS 8000 Vision Mixer including 4 channels DVE
- Sony IXS-6700 HD/SD video router
- Range of LMD and BVM A-series displays including Sony's latest range of true HD flat panel monitors
- 4 x VTR Sony
- EVS Hard Disk Replay/Editing units
- 2 x Advanced computer Graphics systems

### Audio Section

- Studer Vista 5 Digital Audio Console with fibre optic remote stagebox.
- Surround sound compatibility.
- Extensively equipped with large selection of wired and wireless microphones
- Full range of digital Outboard Special Effects processors
- Clearcom Eclipse Communications matrix

### Control Section

- Full tally, UMD and matrix control system





### Coachbuild

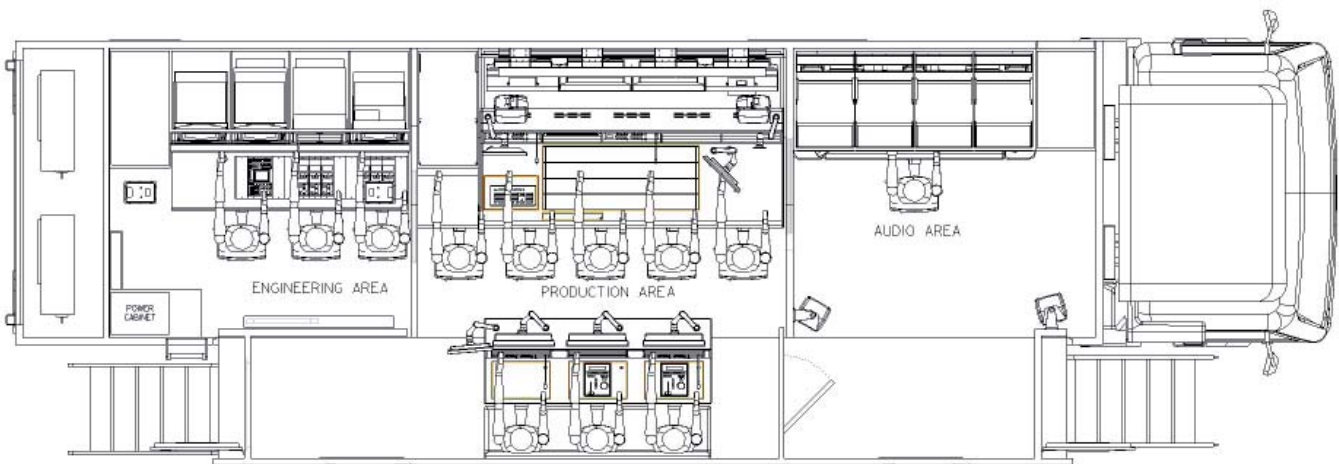
- Coach build by ASGB/A Smith Gt Bentley Ltd. (Specialists Engineering & Coachbuilding)
- Overall length 11m
- Width 2.5m (3.5m extended)
- Height 4m
- Estimated weight 25 tonnes
- Expanding side

### Professional Services

- Video, audio and control system design
- Equipment selection and supply
- Installation, configuration and testing of all systems
- On-site handover and system familiarisation training
- Operational and maintenance training on products
- Full project management

### Additional Information

- Extensive computer graphics systems specified for advanced sports and on-air graphics.
- All technical systems designed for seamless integration with other fleet vehicles to allow extreme expansion of facilities for very large event coverage.



© 2009 Sony Corporation. All rights reserved. Reproduction in whole or in part without permission is prohibited. Features and specifications are subject to change without notice. All non-metric weights and measurements are approximate. Sony, BrightEra and Remote Commander are trademarks of Sony Corporation. All other trademarks are the property of their respective owners.

At Sony Professional we believe images have immeasurable power that can increase business value and become assets.

This is Visual Wealth

#### About Sony Professional

Sony Professional is the leading supplier of AV/IT solutions to businesses across a wide variety of sectors including, **Media and Broadcast, Video Security and Retail, Transport & Large Venue markets.** It delivers products, systems and applications to enable the creation, manipulation and distribution of digital audio-visual content that add value to businesses and their customers. With over 25 years' experience in delivering innovative market-leading products, **Sony Professional** is ideally placed to deliver exceptional quality and value to its customers. **Sony's Professional Services** division, its systems integration arm, offers its customers access to the expertise and local knowledge of skilled professionals across Europe. Collaborating with a network of established technology partners, Sony Professional delivers end to end solutions that address the customer's needs, integrating software and systems to achieve each organisations' individual business goals. For more information please visit [www.pro.sony.eu](http://www.pro.sony.eu)

**SONY**